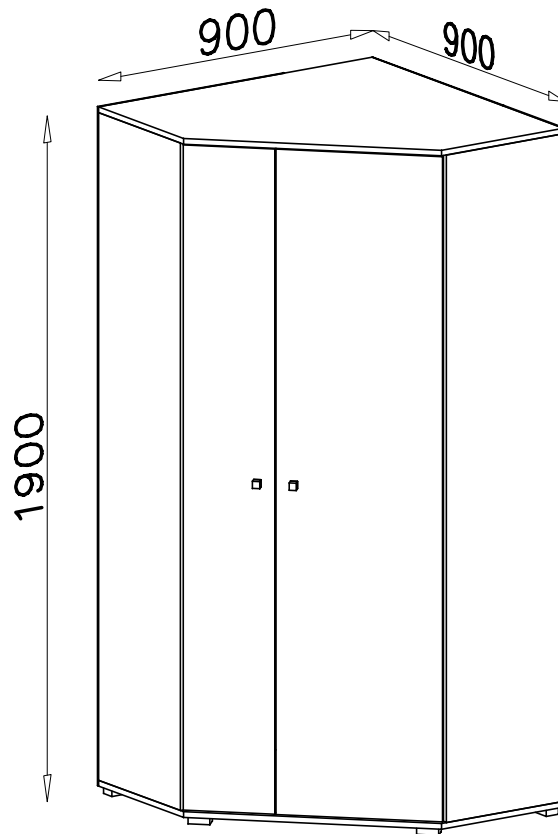
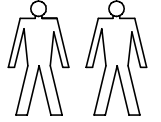
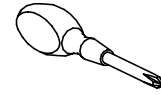
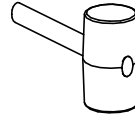
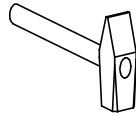
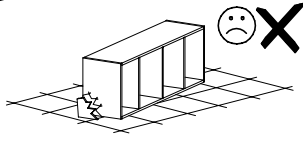
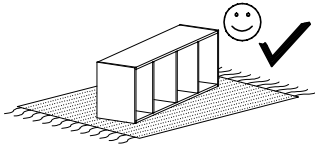


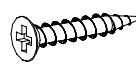
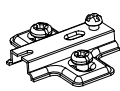
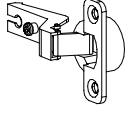
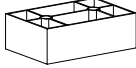
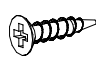



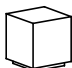
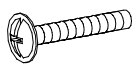

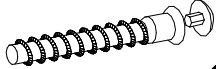

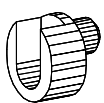
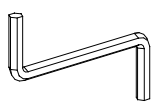

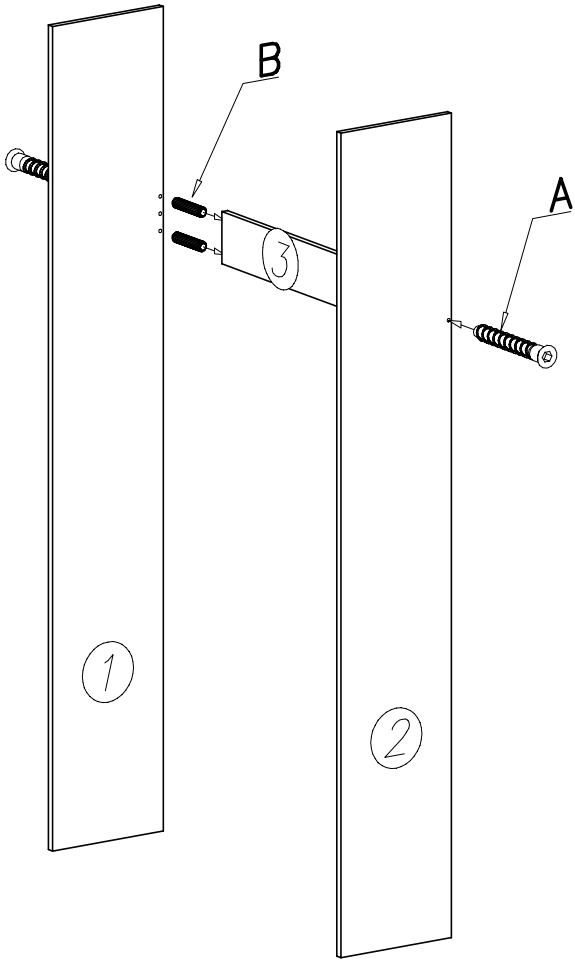


DELTA DL2L/P

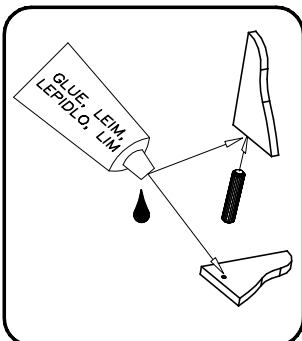
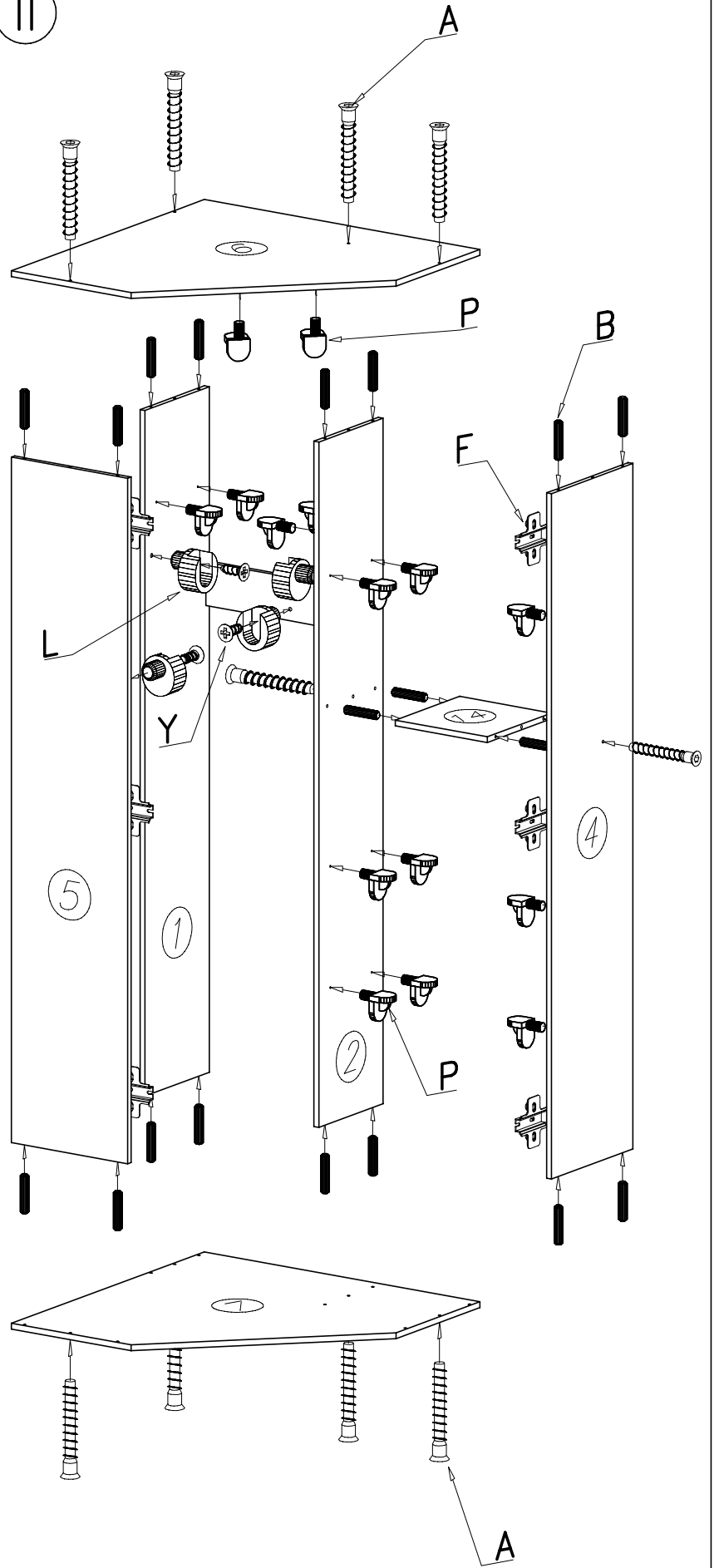


Y  3x13 x4	P  x18	R  3,5x25 x10		
F  x6	D  x6	G  x5	T  4x16 x12	C  x13
W  x2	E  3x20 x90	U  x2	N  M4x22 x2	J  578mm x1
A  x12	B  x24	L  x4	Z  x1	S  854mm x1

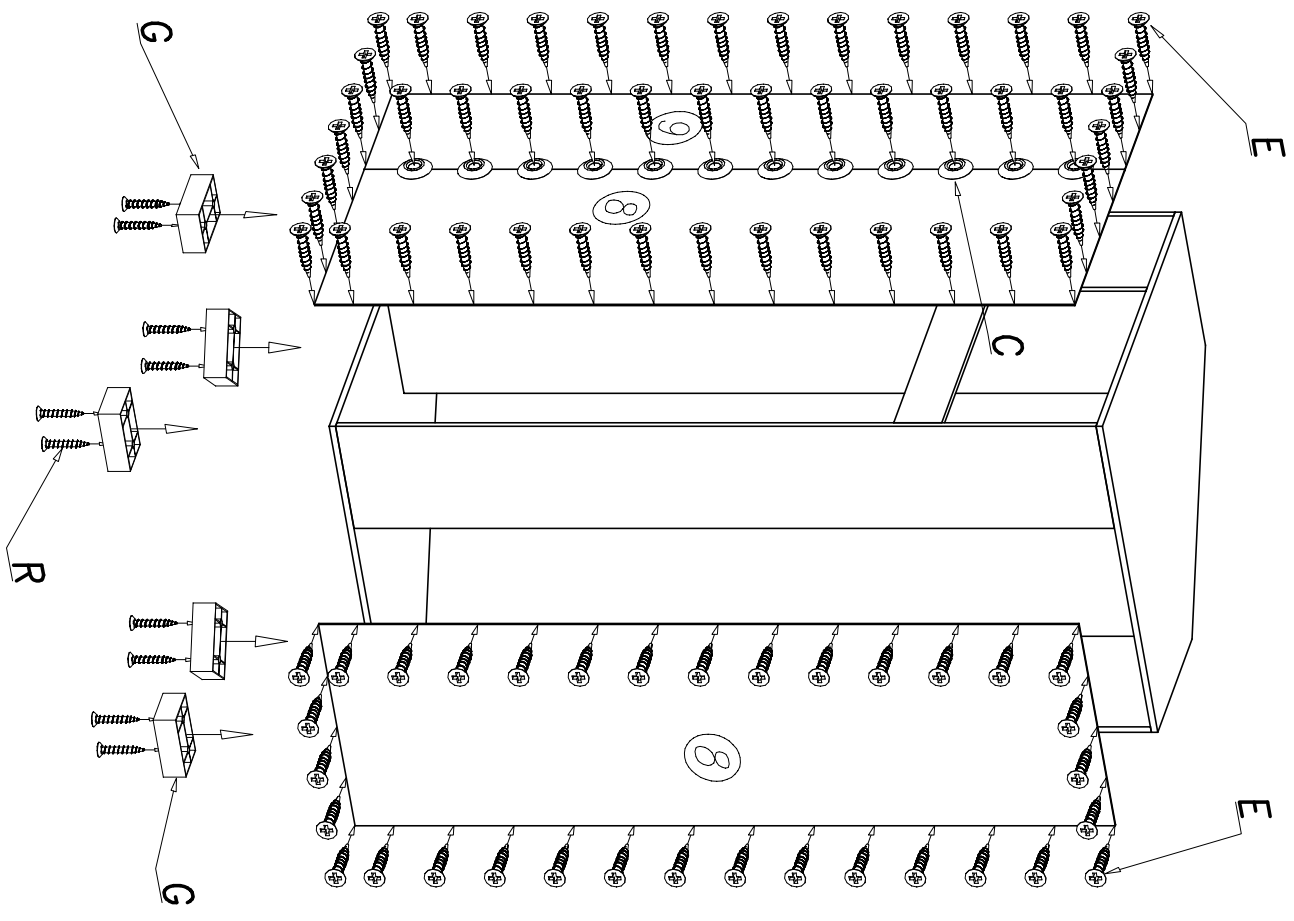
I



II



III



IV

